



Variable Message Signs

Full-Matrix and Three-Line



- Easiest programming in the industry
- Capacitive touchscreen controller
- Intuitive interface with larger buttons
- Safer programming at eye level
- Multi-level password protection
- Out of reach of the casual hacker
- Better traffic visibility
- Less external wiring
- NTCIP compliant



In-Cabinet Controller
(location shown below)

- Durable powder-coat finish, custom colors available
- Standard tow hitch and removable drawbar
- Low power consumption and more uptime
- Solar-charged deep-cycle batteries
- Cooling fans overheat protection
- Standard 15-amp AC charger included
- Energy efficient and superior performance
- Preprogrammed, custom and MUTCD graphics
- 360° display rotation for optimal positioning
- For optional equipment, contact factory



The safest means for notifying motorists of changes in traffic patterns and road conditions.

Wanco Message Signs are the ideal choice when you need to get information to the public. Full-size signs provide versatility and great performance.

Full-matrix signs provide the greatest flexibility for displaying any type of message—large or small letters, symbols, graphics. Graphics and text can be combined in the same message.

Three-line message signs are capable of displaying three rows of alphanumeric characters. The ultra-bright, highly legible LEDs display your message clearly.

Changing the message is simple, as Wanco signs feature the easiest programming in the industry. The in-cabinet controller has a 7-inch LCD capacitive touchscreen.

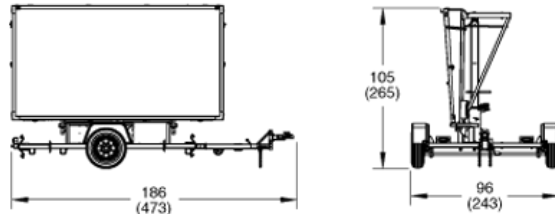
Signs come configured with preprogrammed standard messages. Multiple programming options provide flexibility for multiple applications.

Unsurpassed quality, engineering and value, paired with a multitude of functions and options, make these signs perfect for a wide variety of applications.

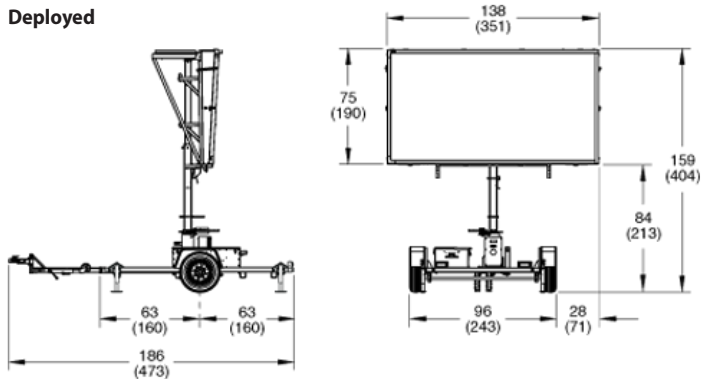
Meets NEMA TS 4-2005 Section 2 for ambient temperature, vibration, shock, electro-static discharge (ESD), and radio interference.

Dimensions in Inches (cm)

Travel position



Deployed



Weight Approx. 2640 lbs. (1193 kg)
Tires ST205/75 D15

Matrix Signs

WTMMB(A) Hydraulic lift
WTMMB(B) Manual winch

Display

Resolution Four amber LEDs form each pixel
Matrix 48 pixels wide, 27 pixels high
Fonts 12 fonts, selectable
Default font 5 x 7 pixels
3 lines of 8 characters max.
Default font size 11 x 16 in. (28 x 42 cm)

Power

Batteries Four 6 Vdc deep-cycle batteries wired for 12 Vdc power
Battery capacity 430 Ah total capacity @ 12 Vdc
Solar panels 130 W minimum
Power options Additional batteries, 4D AGM batteries and solar panels

Three-Line Signs

WTLMB(A) Hydraulic lift
WTLMB(B) Manual winch

Display

Resolution Four amber LEDs form each pixel
Font 1 font
5 x 7 pixels
3 lines of 8 characters per line max.
Font size 12 x 18 in. (30 x 45 cm)

Power

Batteries Four 6 Vdc deep-cycle batteries wired for 12 Vdc power
Battery capacity 430 Ah total capacity @ 12 Vdc
Solar panels 130 W minimum
Power options Additional batteries, 4D AGM batteries and solar panels

Due to Wanco's commitment to continuous improvement of our products, all information is subject to change without notice. Wanco and the Wanco logo are registered trademarks of Wanco Inc. All other trademarks are property of their respective owners.

©2016 Wanco Inc. All rights reserved. | WPB0058 October 2016

WANCO INC.
5870 Tennyson Street
Arvada, Colorado 80003
800-972-0755
303-427-5700
303-427-5725 fax
www.wanco.com