



# Mini Message Signs

## Full-Matrix and Three-Line



- Easiest programming in the industry
- Capacitive touchscreen controller
- Intuitive interface with large buttons
- Safer programming at eye level
- Multi-level password protection
- Out of reach of the casual hacker
- Better traffic visibility
- Less external wiring
- NTCIP compliant



In-Cabinet Controller  
(location shown below)

- Durable powder-coat finish, custom colors available
- Standard tow hitch and removable drawbar
- Low power consumption and more uptime
- Solar-charged deep-cycle batteries
- Cooling fans overheat protection
- Standard 15-amp AC charger included
- Energy efficient and superior performance
- Preprogrammed, custom and MUTCD graphics
- 360° display rotation for optimal positioning
- For optional equipment, contact factory



# The safest means for notifying motorists of changes in traffic patterns and road conditions.

Wanco Mini Message Signs are the ideal choice when you need to get information to the public. Mini-size signs provide versatility and great performance.

Full-matrix signs provide the greatest flexibility for displaying any type of message—large or small letters, symbols, graphics. Graphics and text can be combined in the same message.

Three-line message signs are capable of displaying three rows of alphanumeric characters. The ultra-bright, highly legible LEDs display your message clearly.

Changing the message is simple, as Wanco signs feature the easiest programming in the industry. The in-cabinet controller has a 7-inch LCD capacitive touchscreen.

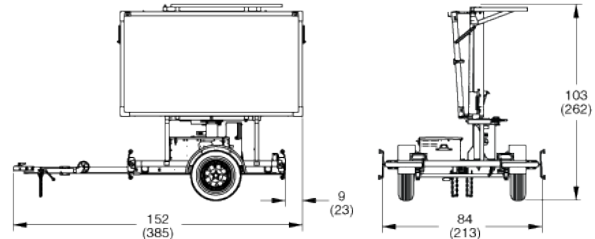
Signs come configured with preprogrammed standard messages. A quick-message function provides for display of select messages with a keystroke. Multiple programming options provide flexibility for multiple applications.

Unsurpassed quality, engineering and value, paired with a multitude of functions and options, make these signs perfect for a wide variety of applications.

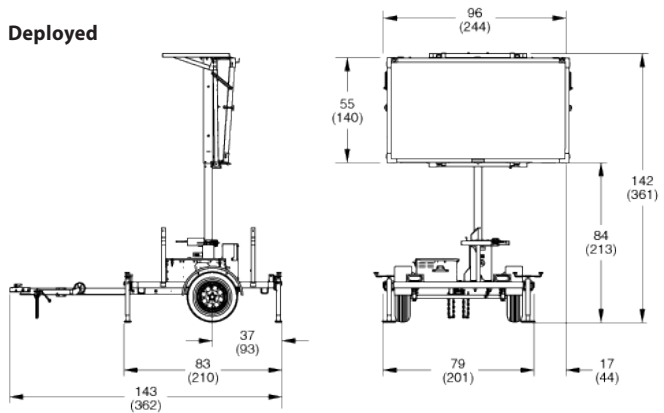
**Meets NEMA TS 4-2005 Section 2 for ambient temperature, vibration, shock, electro-static discharge (ESD) and radio interference.**

Dimensions in  
Inches  
(cm)

## Travel position



## Deployed



Weight Approx. 2640 lbs. (1193 kg)  
Tires ST205/75 D15

## Matrix Signs

WVTM(A) Hydraulic lift  
WVTM(B) Manual winch

### Display

Resolution Four amber LEDs form each pixel  
Matrix 48 pixels wide, 27 pixels high  
Fonts 12 fonts, selectable  
Default font 5 x 7 pixels  
3 lines of 8 characters max.  
Default font size 8 x 12 in. (21 x 30 cm)

### Power

Batteries Four 6 Vdc deep-cycle batteries wired for 12 Vdc power  
Battery capacity 430 Ah total capacity @ 12 Vdc  
Solar panels 85W minimum  
Power options Additional batteries, 4D AGM batteries and solar panels

## Three-Line Signs

WVT3(A) Hydraulic lift  
WVT3(B) Manual winch

### Display

Resolution Four amber LEDs form each pixel  
Font 1 font  
5 x 7 pixels  
3 lines of 8 characters per line max.  
Font size 9 x 14 in. (24 x 34 cm)

### Power

Batteries Four 6 Vdc deep-cycle batteries wired for 12 Vdc power  
Battery capacity 430 Ah total capacity @ 12 Vdc  
Solar panels 85W minimum  
Power options Additional batteries, 4D AGM batteries and solar panels

Due to Wanco's commitment to continuous improvement of our products, all information is subject to change without notice. Wanco and the Wanco logo are registered trademarks of Wanco Inc. All other trademarks are property of their respective owners.

©2016 Wanco Inc. All rights reserved. | WPB0059 October 2016

**WANCO INC.**  
5870 Tennyson Street  
Arvada, Colorado 80003  
800-972-0755  
303-427-5700  
303-427-5725 fax  
[www.wanco.com](http://www.wanco.com)