



# Metro™ VMS

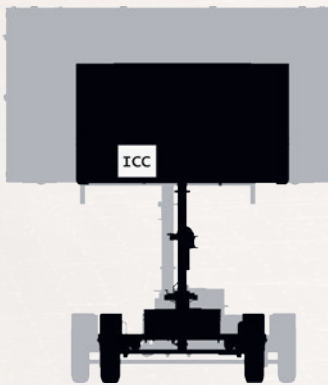
## Compact Variable Message Signs

- Small footprint, fits almost anywhere
- Energy efficient and superior performance
- Full-matrix message display available in two sizes
- Preprogrammed, custom and MUTCD graphics
- 360° display rotation for optimal positioning
- Bold arrow graphics, text in 12 fonts



In-Cabinet Controller  
(location shown below)

- Capacitive touchscreen controller
- Intuitive interface with larger buttons
- Safer programming at eye level
- Multi-level password protection
- Out of reach of the casual hacker
- Better traffic visibility
- Less external wiring



The compact Metro trailer is easier to maneuver than a full-size sign  
Back view

- Heavy-duty hand-winch allows one person to deploy the sign
- Durable powder-coat finish, custom colors available
- Standard tow hitch and removable drawbar
- Solar-charged deep-cycle batteries
- Standard 15-amp AC charger included
- For optional equipment, contact factory
- NTCIP compliant

# Metro™ VMS Compact message signs designed for metropolitan areas

Metro™ Variable Message Signs are our most compact portable message signs, designed for use in metropolitan areas. Metro signs feature a full matrix display of high-efficiency LEDs for reduced energy consumption, superior performance and outstanding legibility.

The compact Metro trailer is easy to maneuver and deploy, particularly in urban areas, where traffic is heavy and space is limited. The full-matrix display can present messages as text, graphics or a combination of both, for traffic safety, emergency response and special events. Two sizes of displays are available.

For optimal positioning, the display cabinet rotates independent of the trailer, and its height is fully adjustable. Metro signs use our touchscreen interface for the easiest programming in the industry.

Optional auxiliary equipment includes cellular modem package with GPS and remote control, radar-based speed detector, the Wanco Traffic Data Classifier System and electric winch. Additional solar panels and batteries are available if more power is required.

**Meets NEMA TS 4-2005 Section 2 for ambient temperature, vibration, shock, electro-static discharge (ESD) and radio interference.**

## Brief specifications

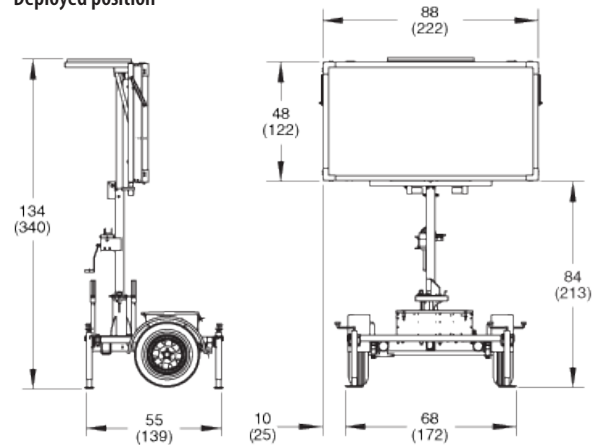
	Model WVTMM-L	Model WVTMM-M
Weight, approx.	1500 lbs. (680 kg)	1400 lbs. (635 kg)
Tires	15-inch	15-inch
Amber display	60 x 30 pixels	48 x 30 pixels
Default font	10 in., 5 x 9 pixels per character 3 lines, max. 10 characters per line	10 in., 5 x 9 pixels per character 3 lines, max. 10 characters per line

## Power

Batteries	Four 6 Vdc deep-cycle batteries wired for 12 Vdc power
Battery capacity	430 Ah total capacity @ 12 Vdc
Solar panels	85W
Power options	Additional batteries and solar panels

Dimensions in Inches (cm)

### Large display Model WVTMM-L Deployed position



### Medium display Model WVTMM-M Deployed position

